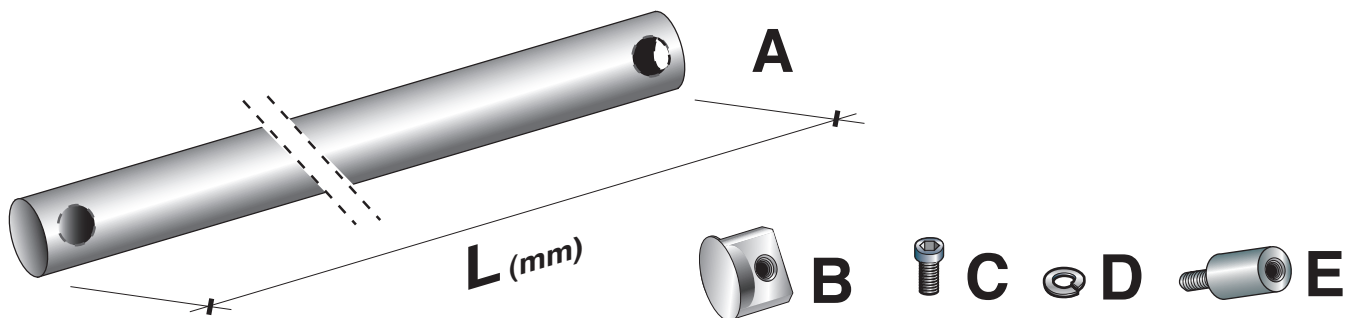


**Mod.\*CCF**  
**Mod. CF\***

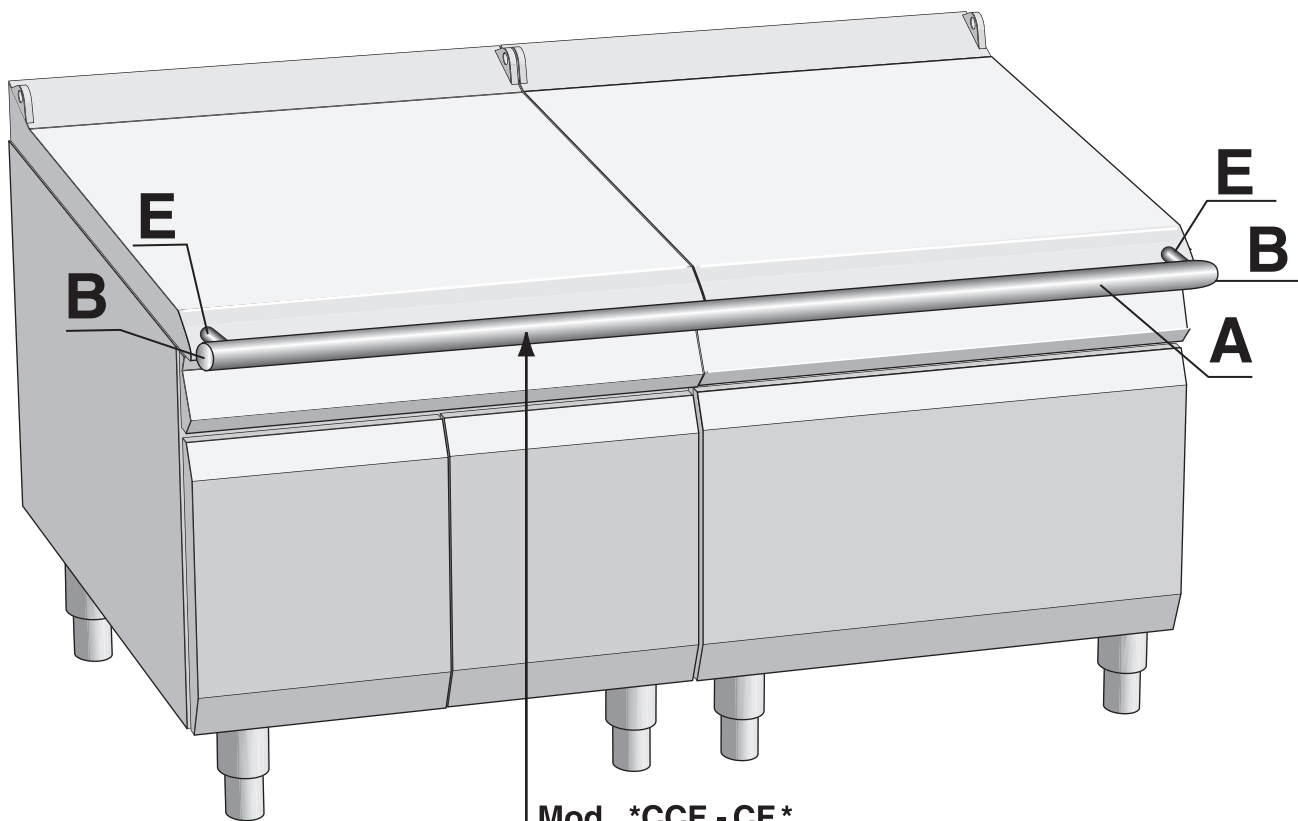
**ALPHA - DELTA**  
**OMEGA - BIFRONTI**



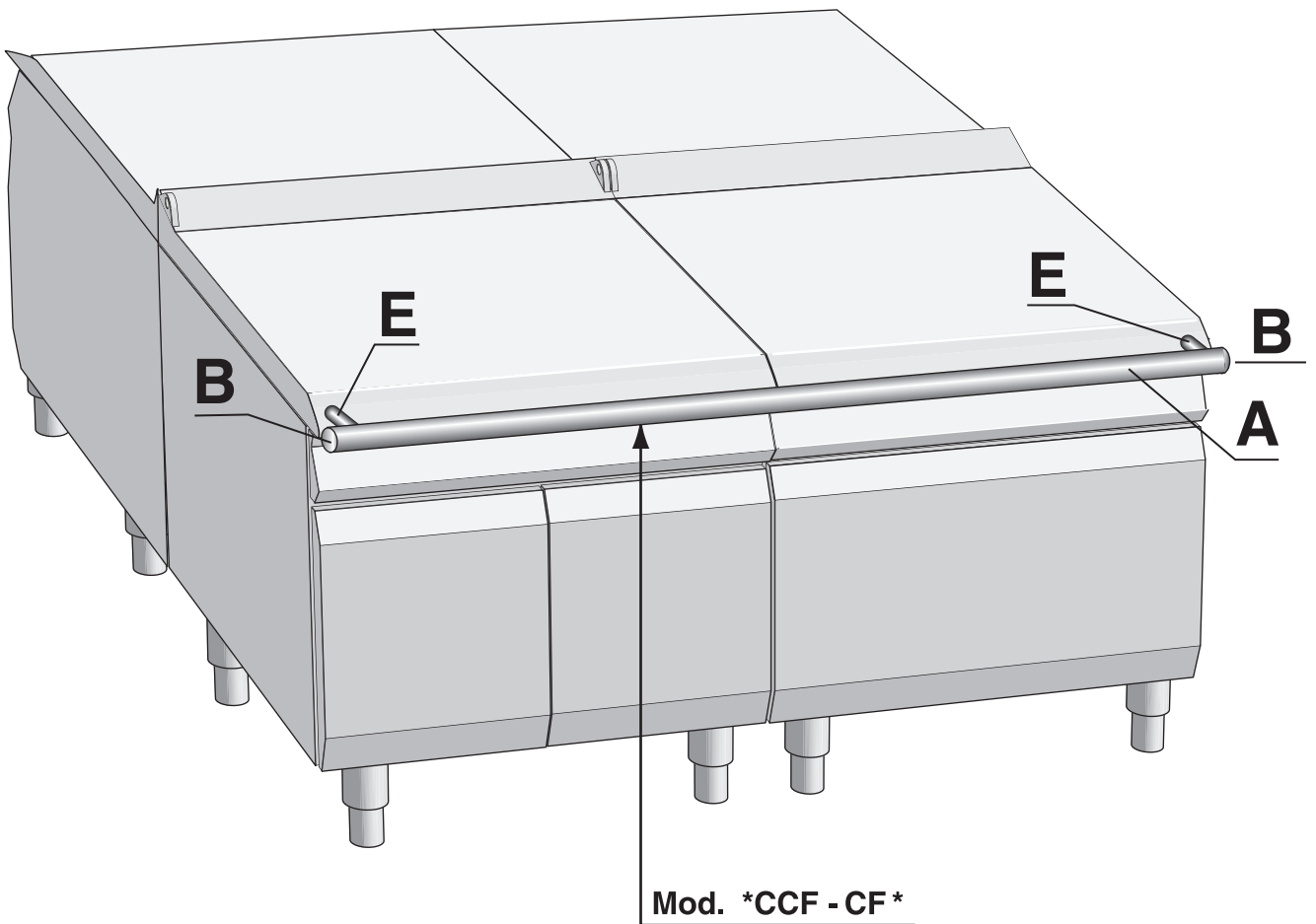
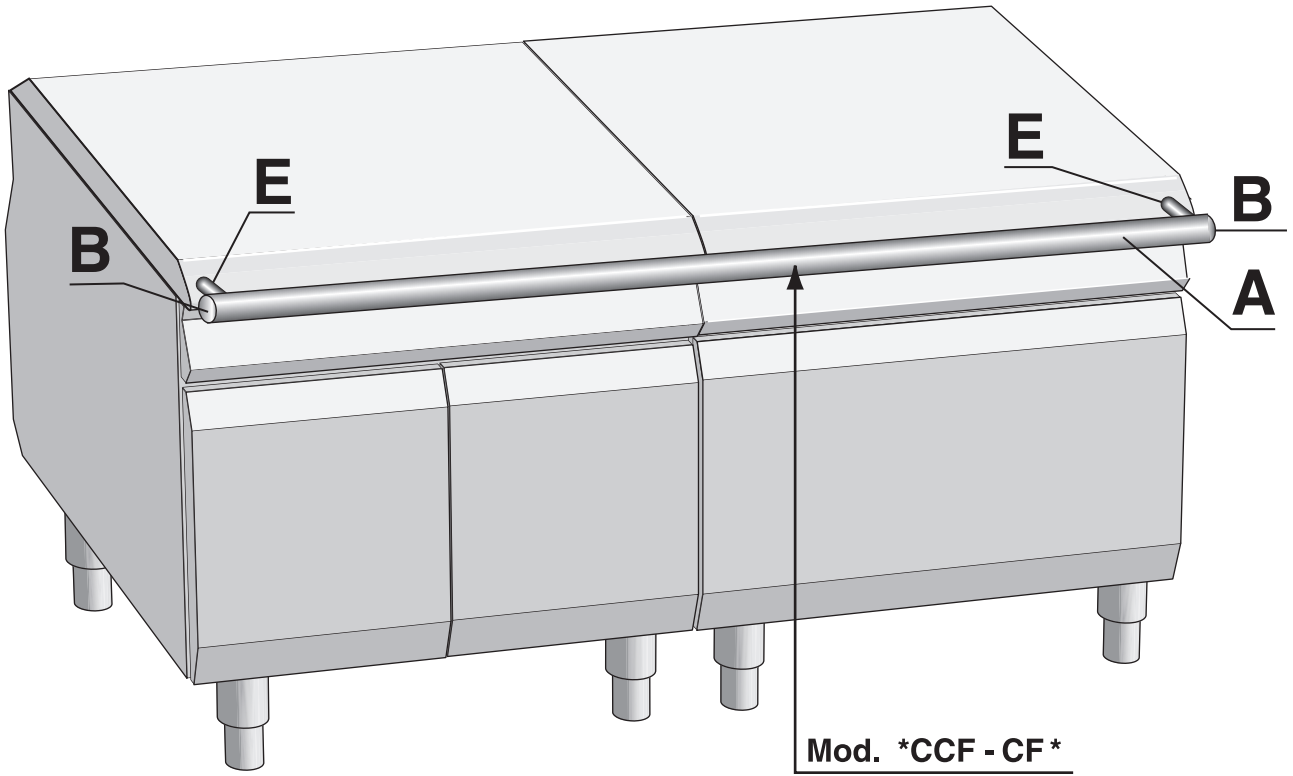
	<b>A</b>	<b>B</b>	<b>C</b>	<b>D</b>	<b>E</b>
<b>N°</b>	<b>1</b>	<b>2</b>	<b>2</b>	<b>2</b>	<b>2</b>

<b>Mod.*CCF</b>	<b>04CCF</b>	<b>06CCF</b>	<b>08CCF</b>	<b>10CCF</b>	<b>12CCF</b>	<b>14CCF</b>	<b>16CCF</b>	<b>18CCF</b>	<b>20CCF</b>	<b>22CCF</b>	<b>24CCF</b>
<b>L (mm)</b>	400	600	800	1000	1200	1400	1600	1800	2000	2200	2400

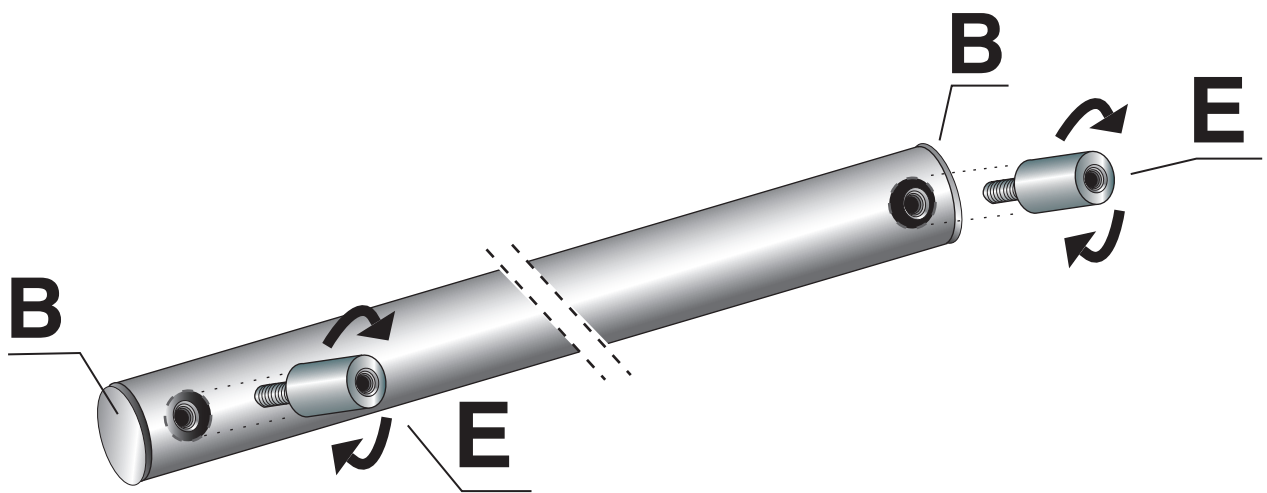
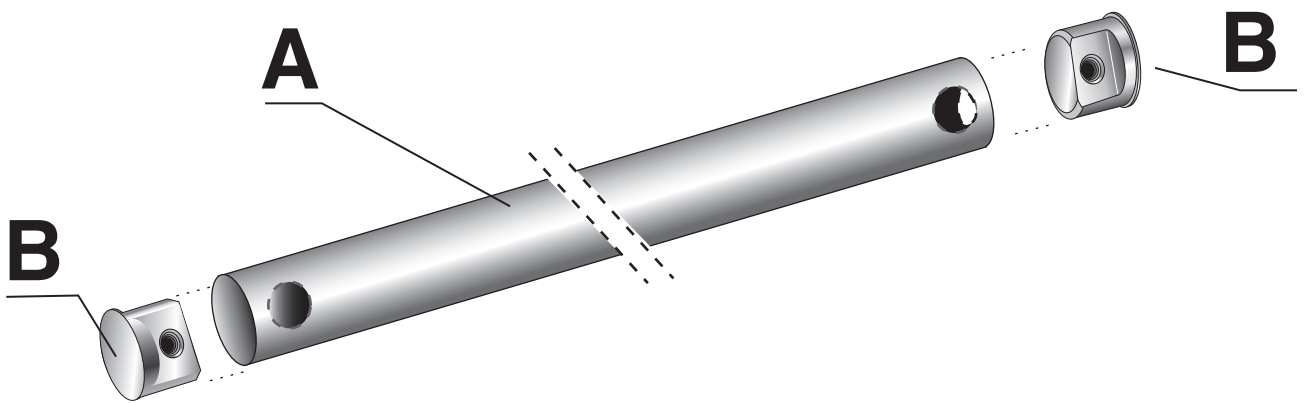
<b>Mod. CF*</b>	<b>CF0</b>		<b>CF1</b>		<b>CF2</b>		<b>CF3</b>		<b>CF4</b>		
<b>L (mm)</b>	400		800		1200		1600		2000		



39D1511-1



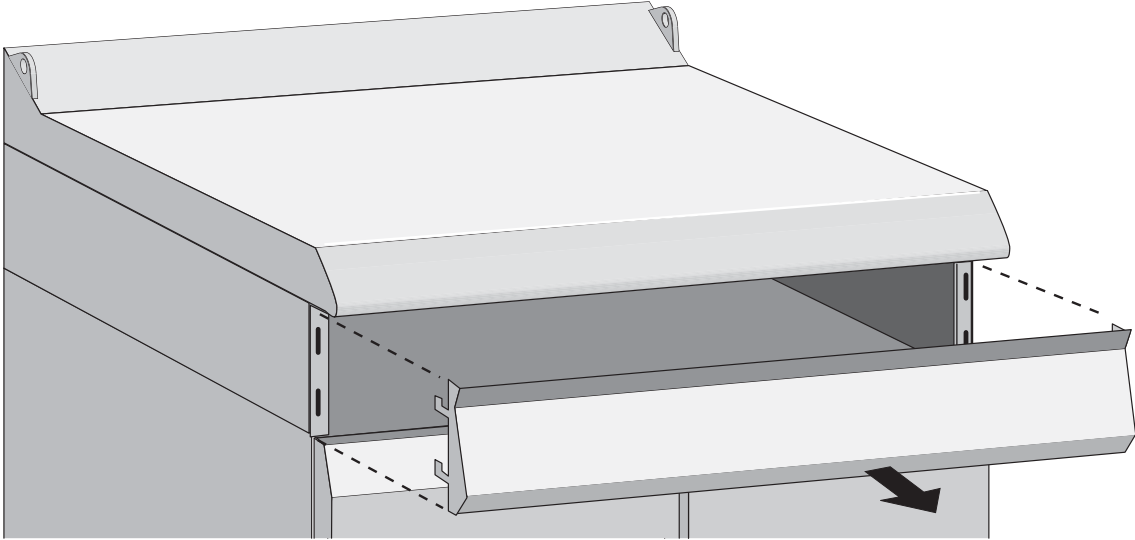
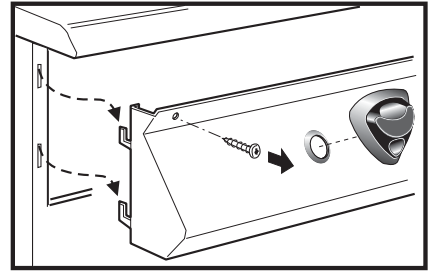
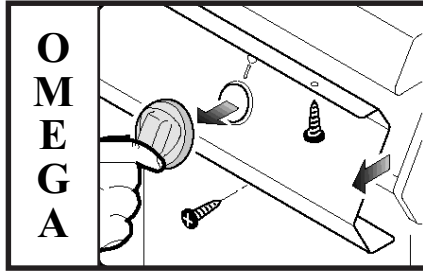
39D1511-2



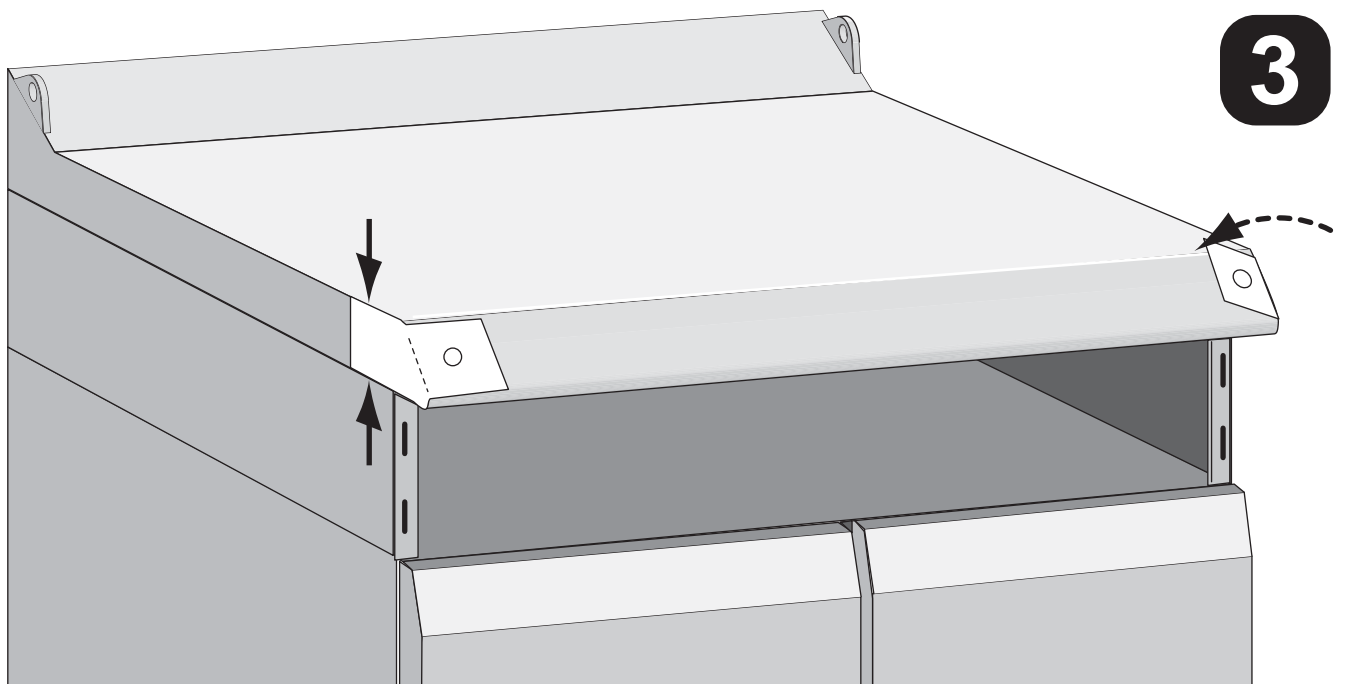
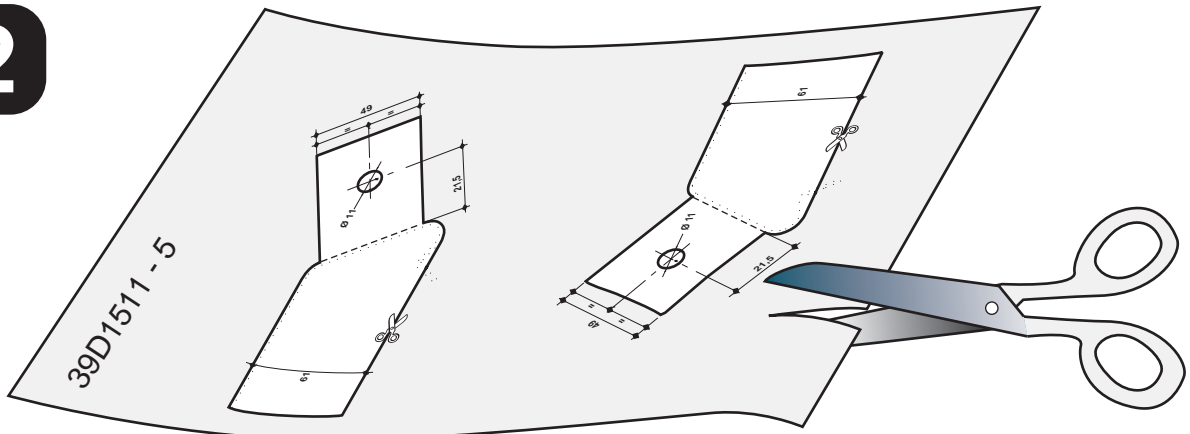
Mod. \*CCF - CF\*

39D1511 - 3

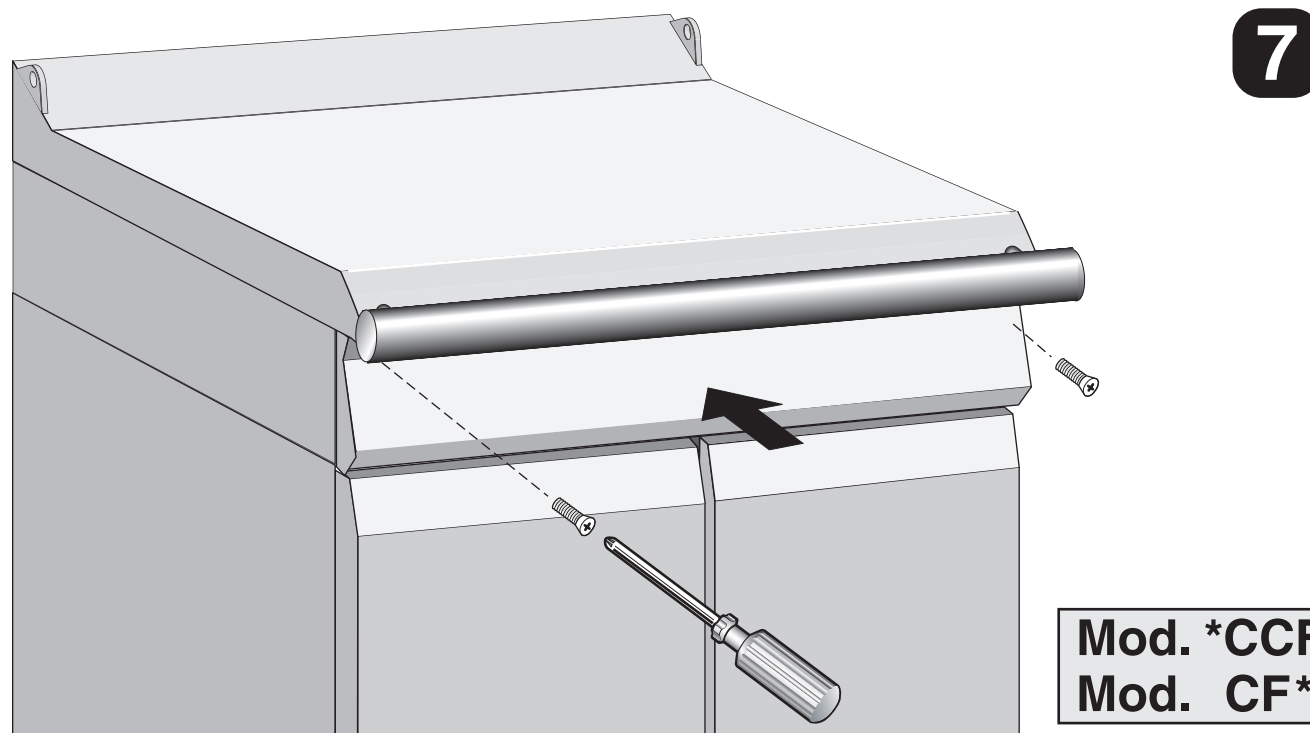
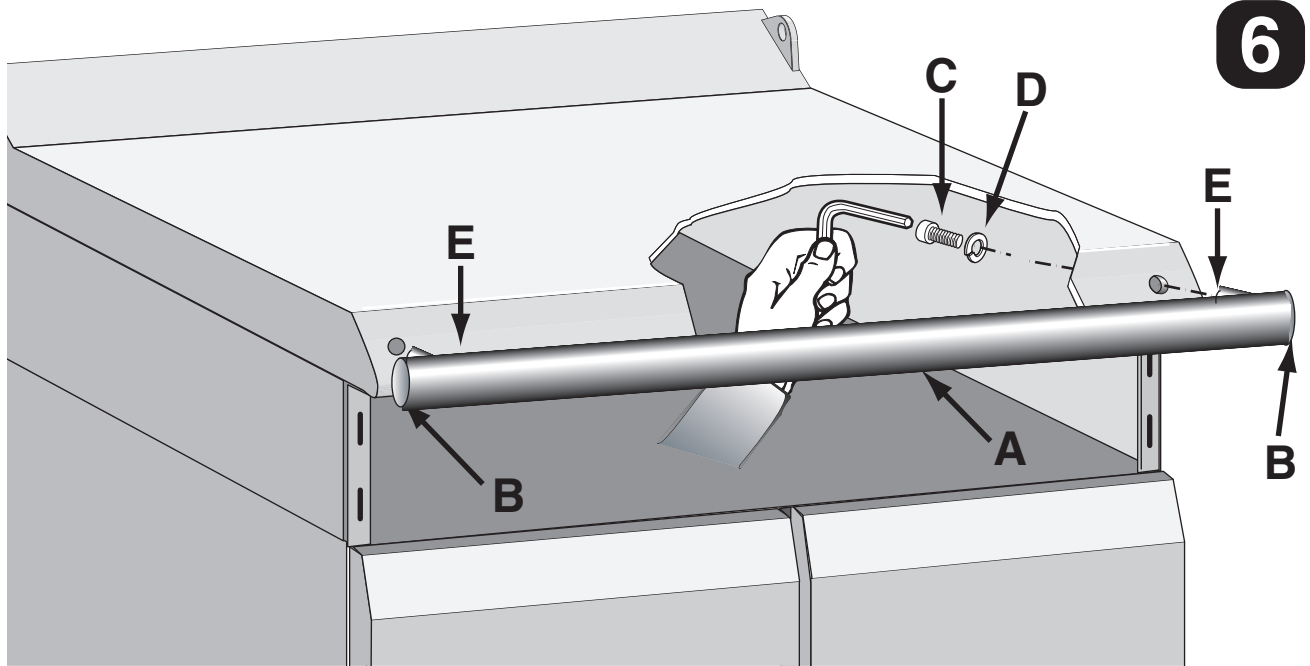
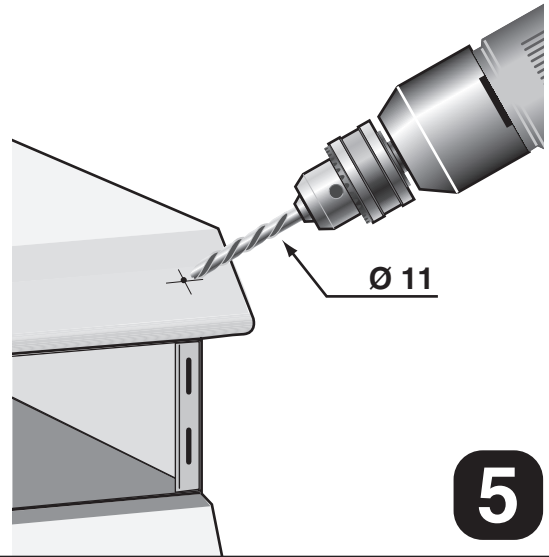
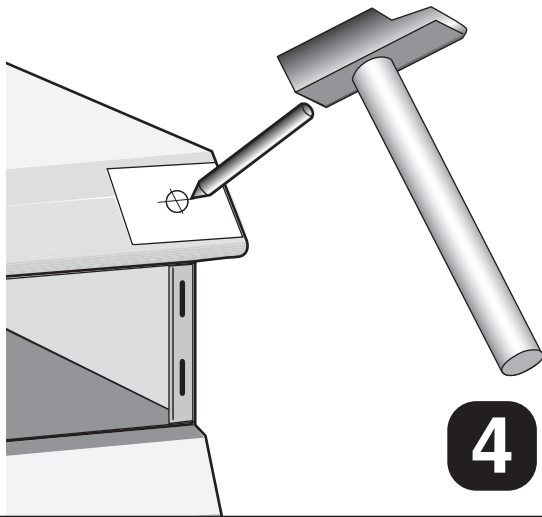
**1**



**2**

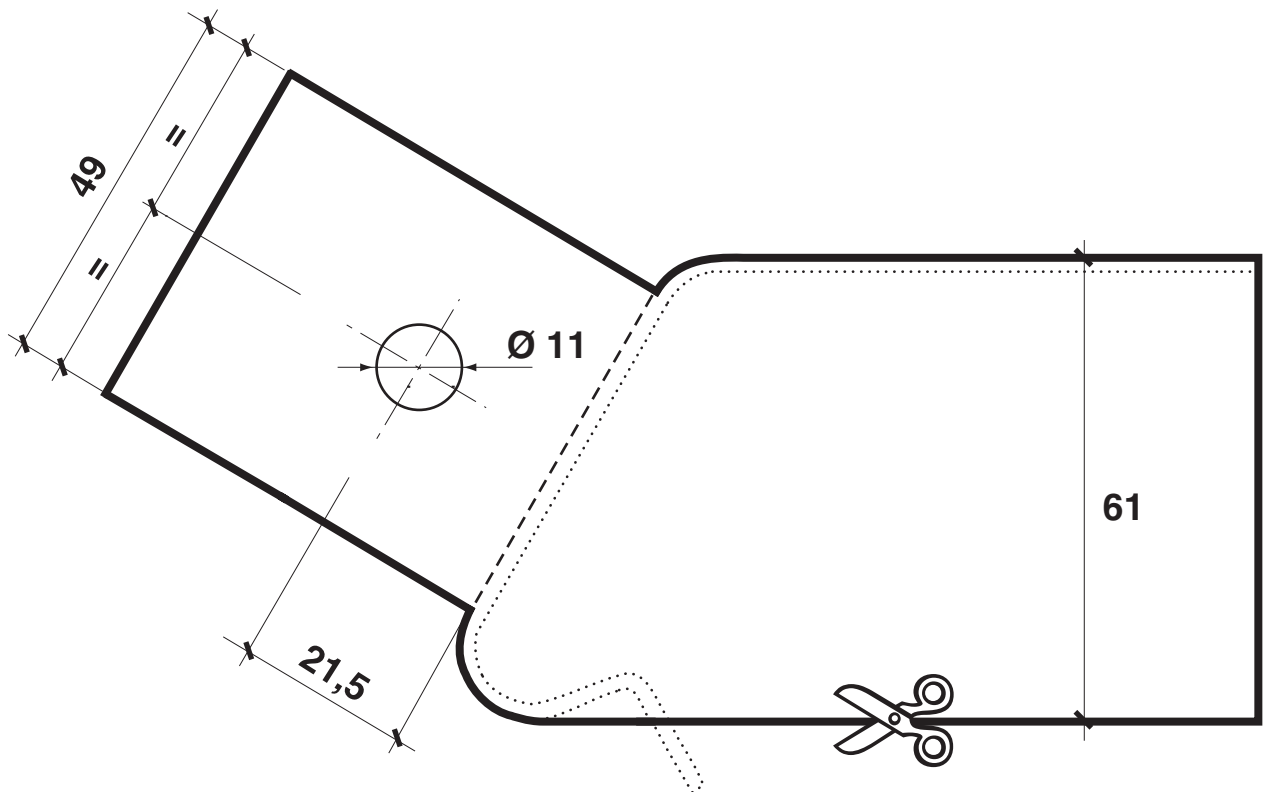
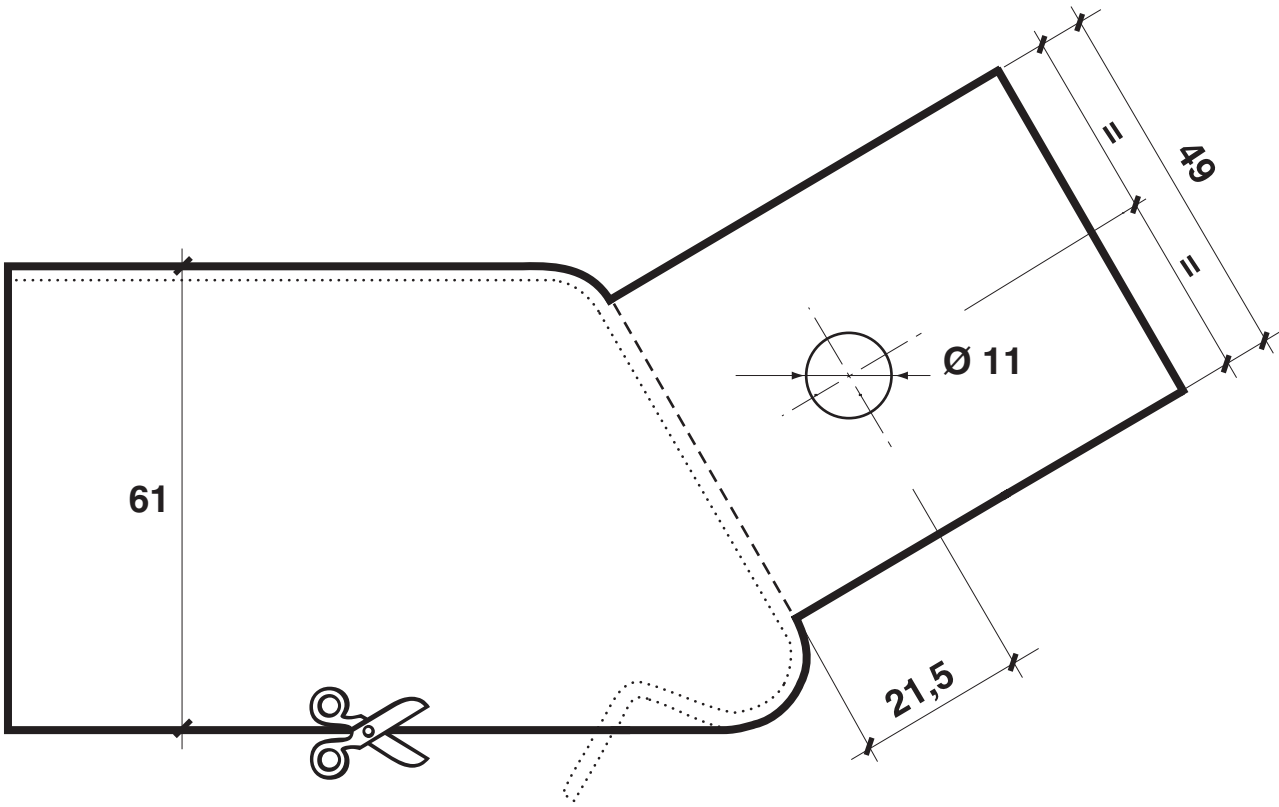


39D1511 - 4





39D1511 - 5

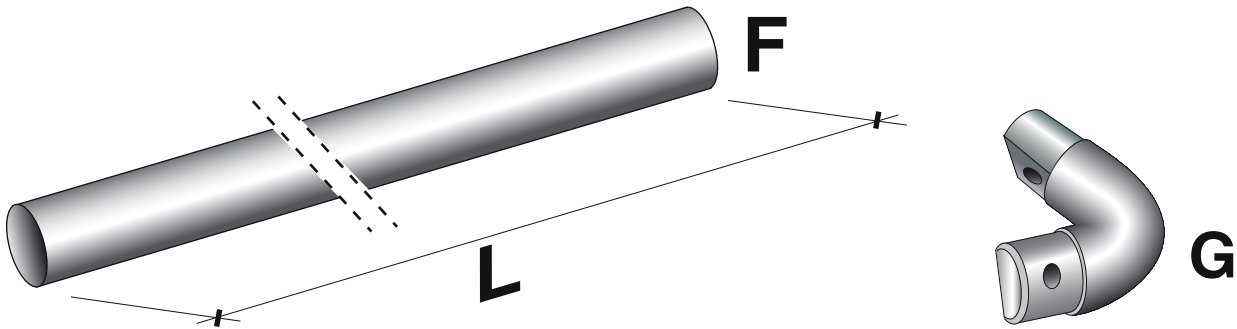






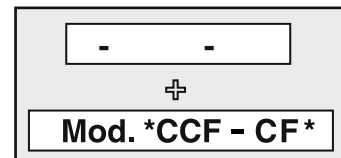
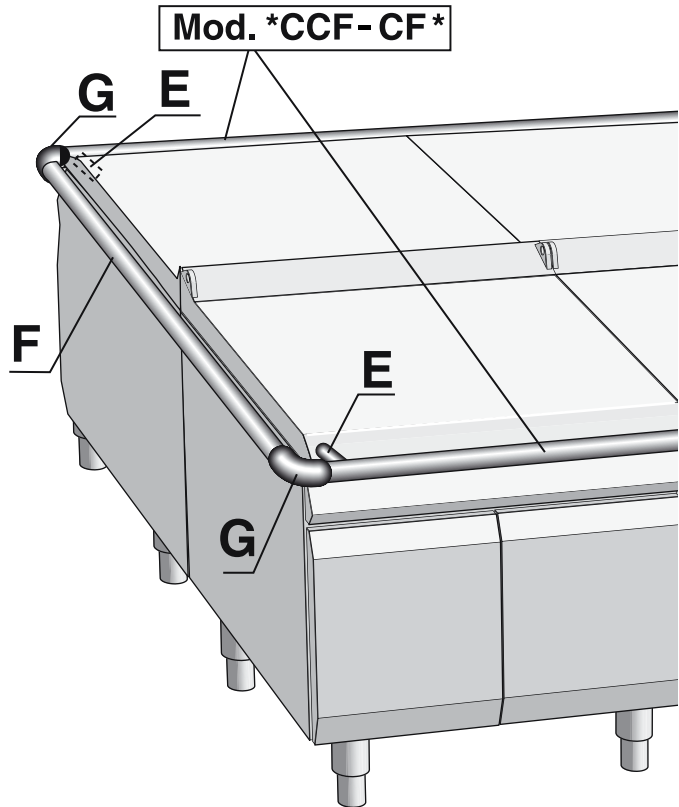
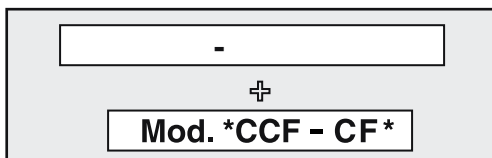
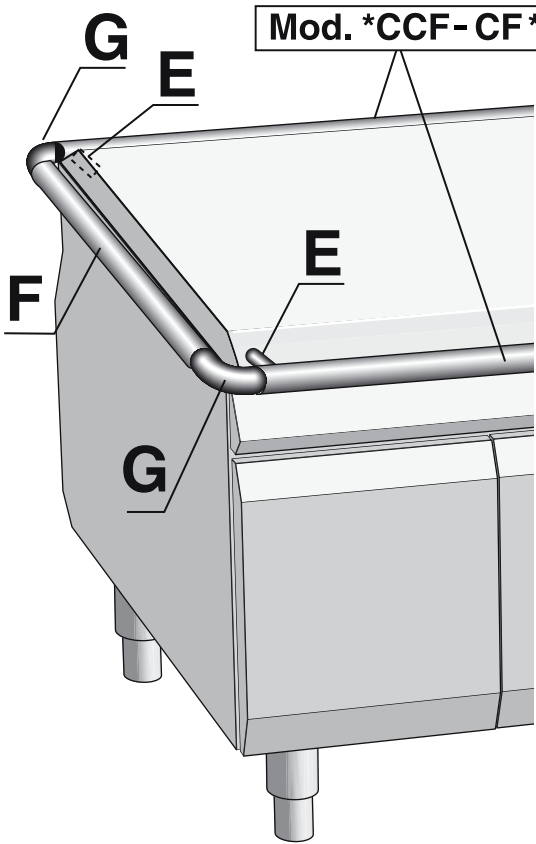
**Mod.  
CML110  
CML180  
11CC L**

**ALPHA - BIFRONT  
OMEGA**

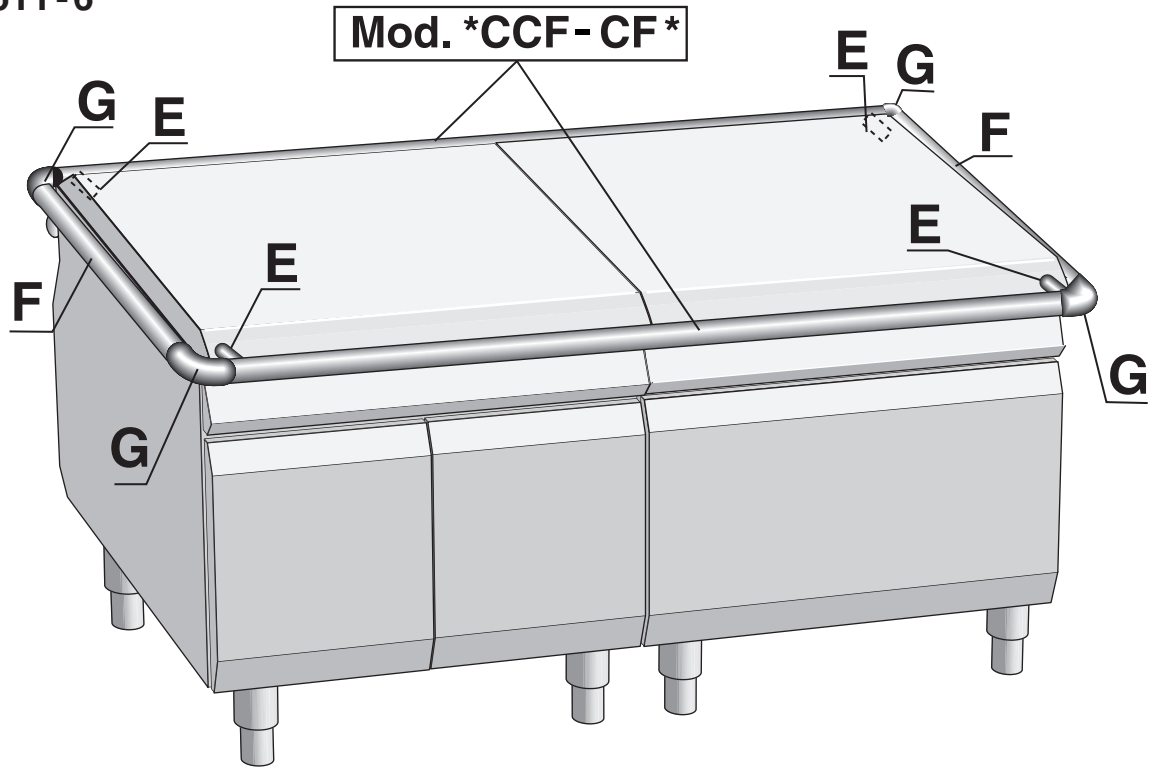


➔		
➔	1100	1800

📦 ➔	F	G
N° ➔	1	2



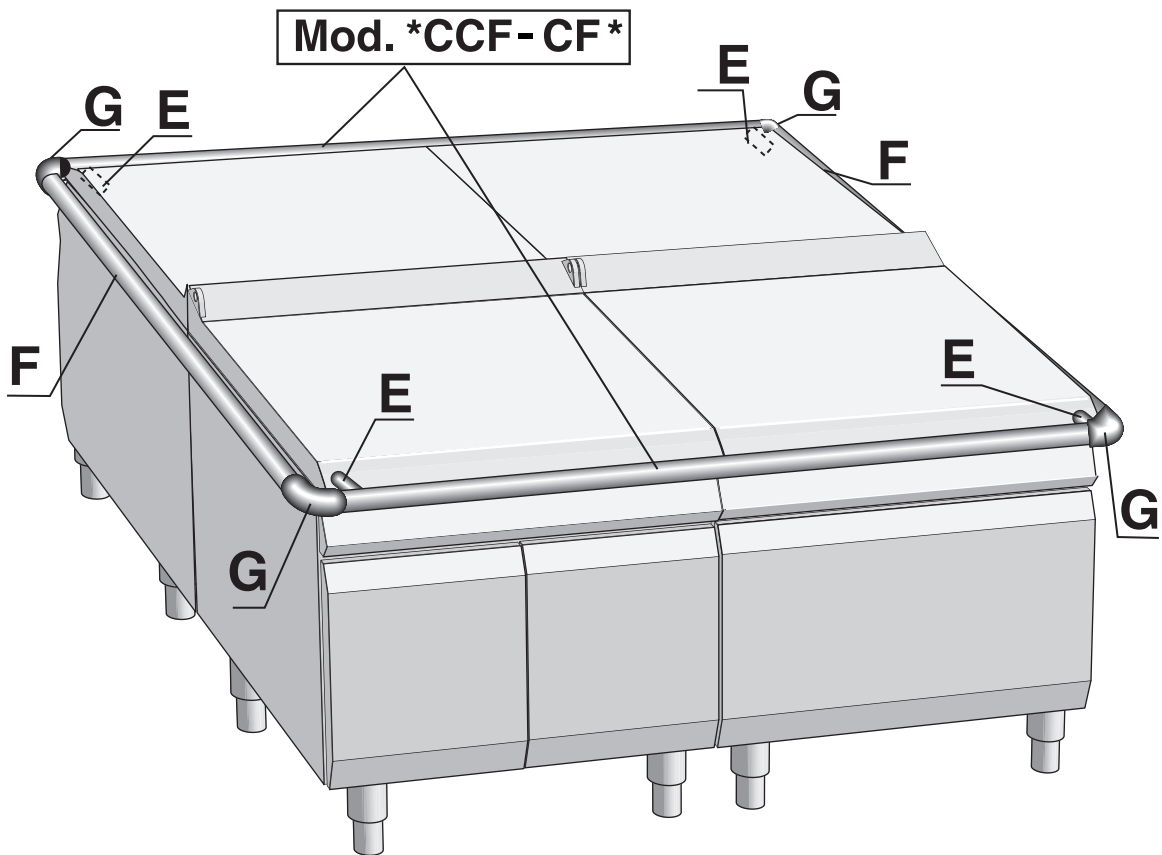
39D1511-6



Mod. CML110-11 CCL  
+  
Mod. \*CCF - CF\*

+

Mod. CML180  
+  
Mod. \*CCF - CF\*



Mod. CML110-11 CCL  
+  
Mod. \*CCF - CF\*

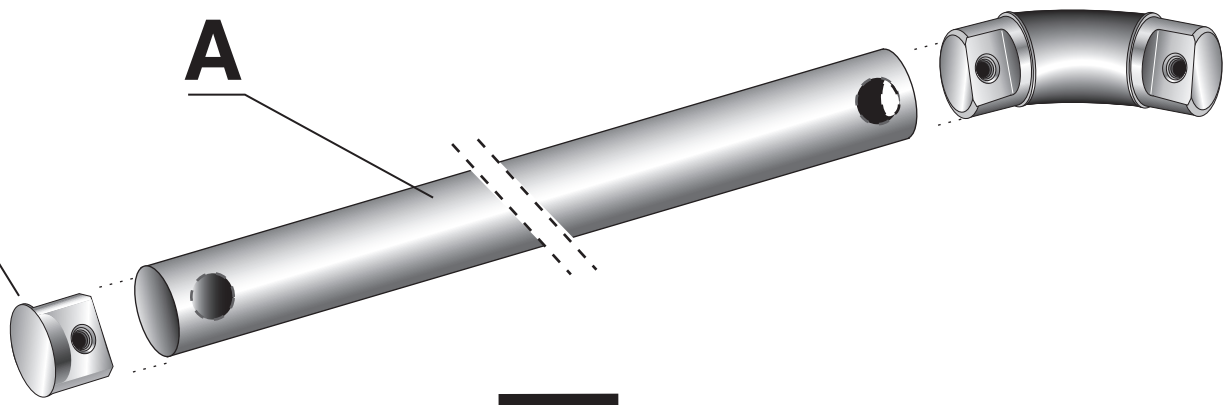
+

Mod. CML180  
+  
Mod. \*CCF - CF\*

**G**

**A**

**B**



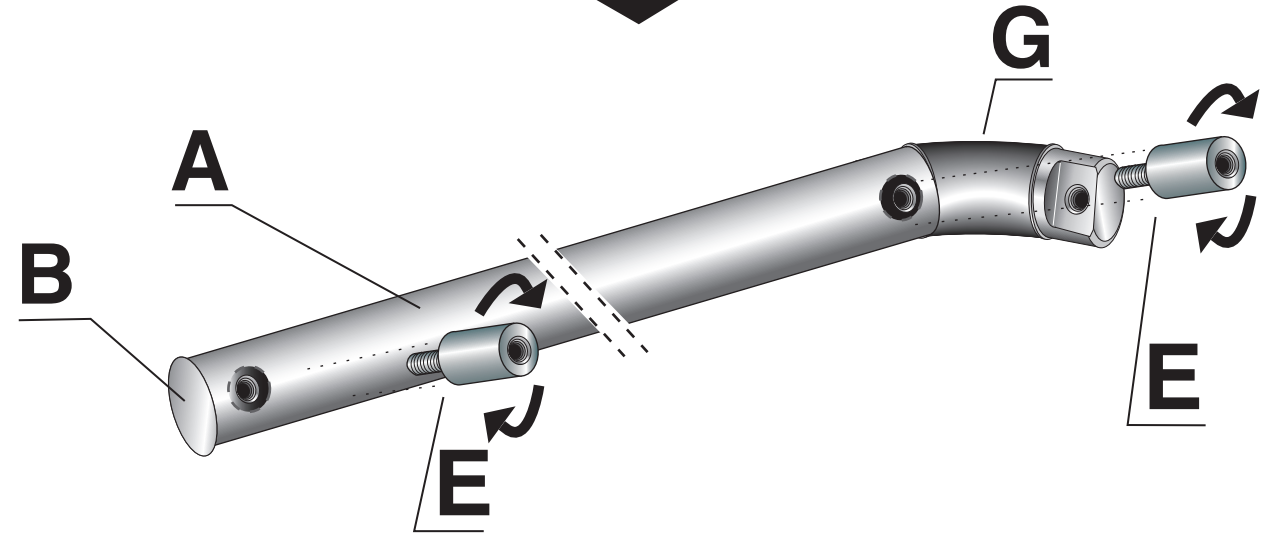
**G**

**A**

**B**

**E**

**E**



**A**

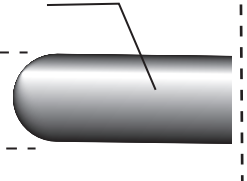
**G**

**F**

**B**

**E**

**E**

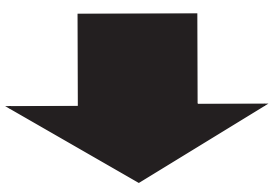
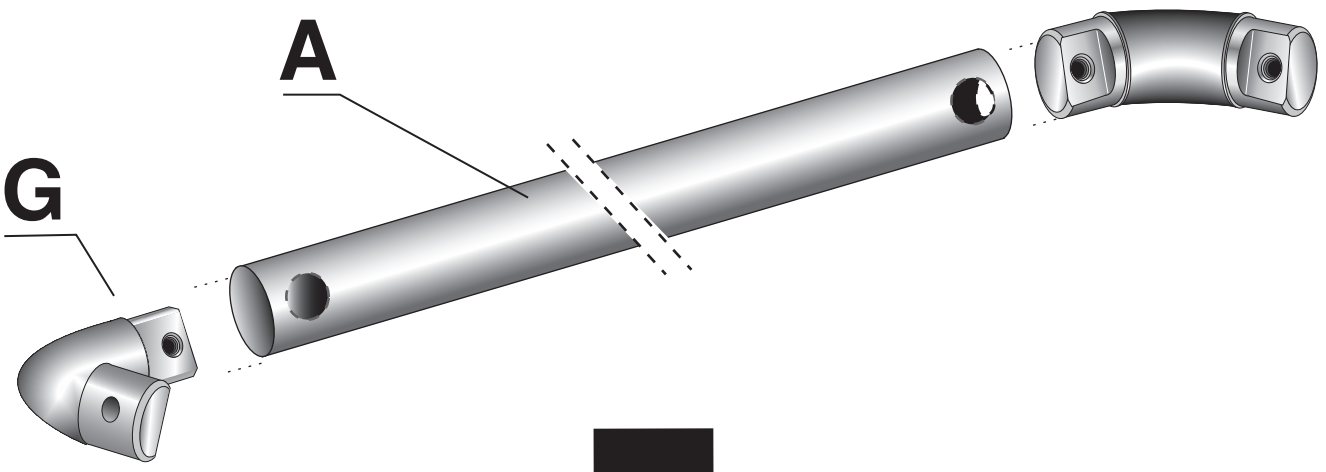


<b>A</b>	<b>F</b>
( Mod. *CCF - CF* x 2 ) +	Mod. CML110 11CCL CML180

G

A

G



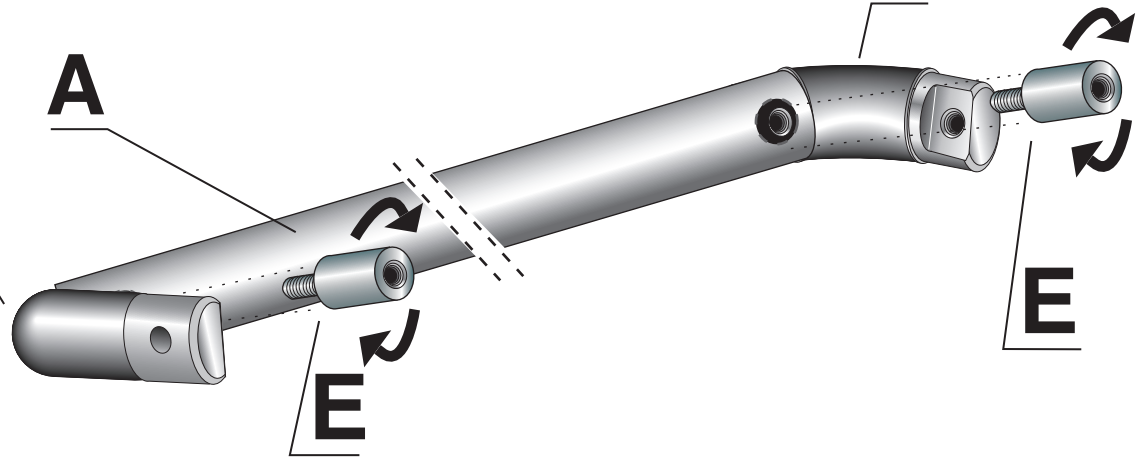
A

G

G

E

E



A

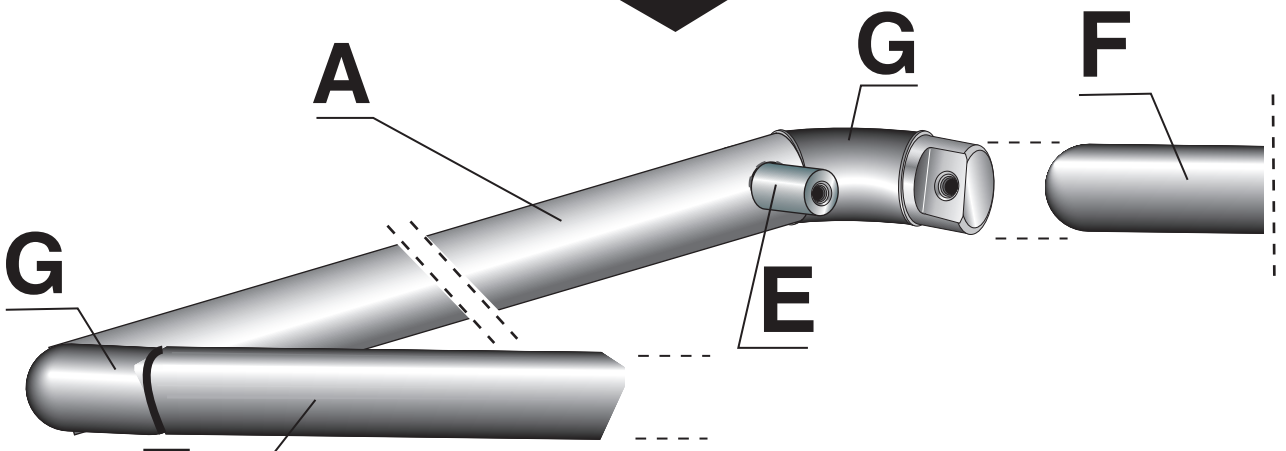
G

F

G

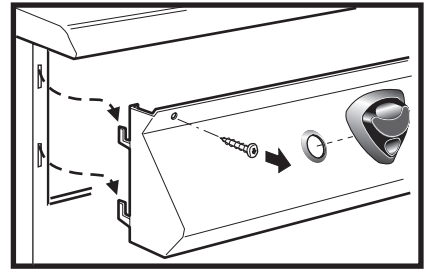
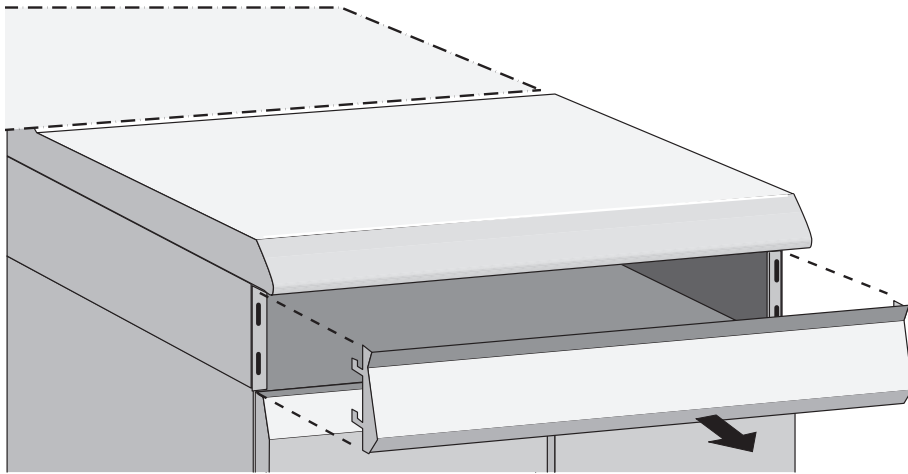
E

F

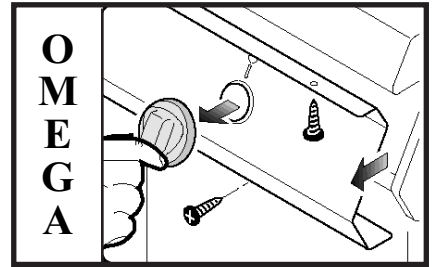


<b>A</b>	<b>F</b>
( Mod. *CCF - CF* <b>x 2</b> ) +	Mod. CML110 11CCL CML180

39D1511 - 9

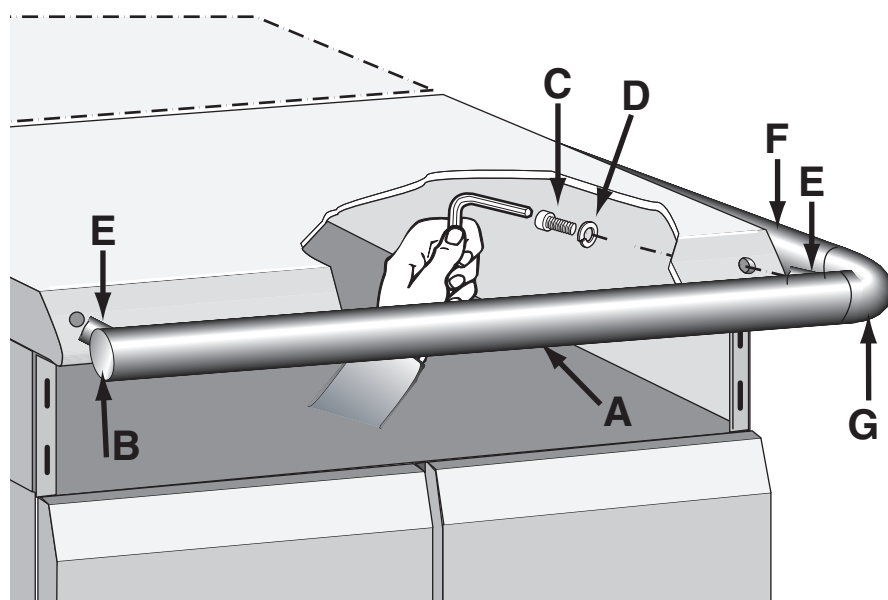


**1**



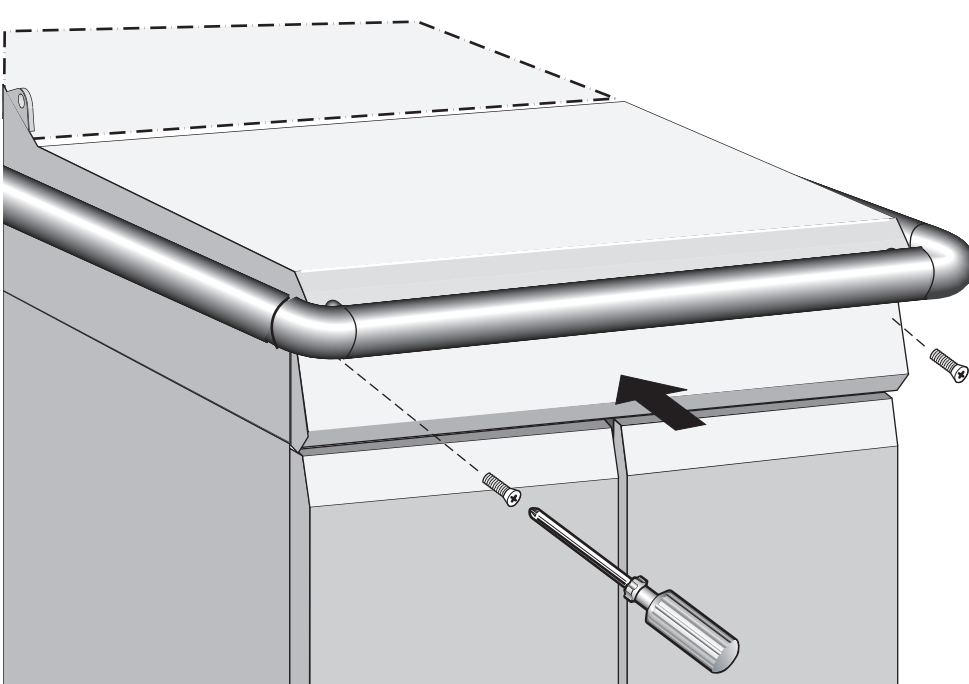
OMEGA

**2**



(	Mod. *CCF	x 2)
	Mod. CF*	
A	+	
	Mod. CML110	
	CML180	
	11CCL	
	F	

**3**



(	Mod. *CCF	x 2)
	Mod. CF*	
	+	
(	Mod. CML110	x 2)
	CML180	
	11CCL	